

PRODUCT DATA SHEET

PUSH-WIRE CONNECTORS



DESCRIPTION

Push-Wire Connectors are perfect for residential, light commercial, lighting retrofit and front fab wiring systems. Their low insertion force makes them the fastest, easiest, bend-free Push connector on the market. compact size, simplifies installation and its transparent shell provides a visual inspection of the connection.

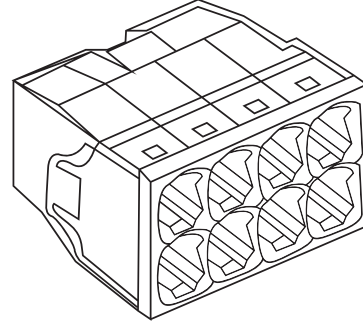
FEATURES

With its compact dimensions, you both reduce your panel dimensions and reduce your logistics costs. Thanks to the transparent structure of the product, you can see whether the cable is fully seated. It offers tool-free use.

Operating Temperature:	- 40°C --- +105°C
Rated Current:	32A
Rated Voltage:	450V

PRODUCT DATA SHEET

PUSH-WIRE CONNECTORS



SECTIONS AND DIMENSIONS

PRODUCT CODE	COLOUR	CABLE SECTION	DIMENSIONS		
			WIDTH	LENGTH	HEIGHT
GW 2,5 - 8	Grey	0,50 - 2,5 mm ²	17.8	16.4	11.25